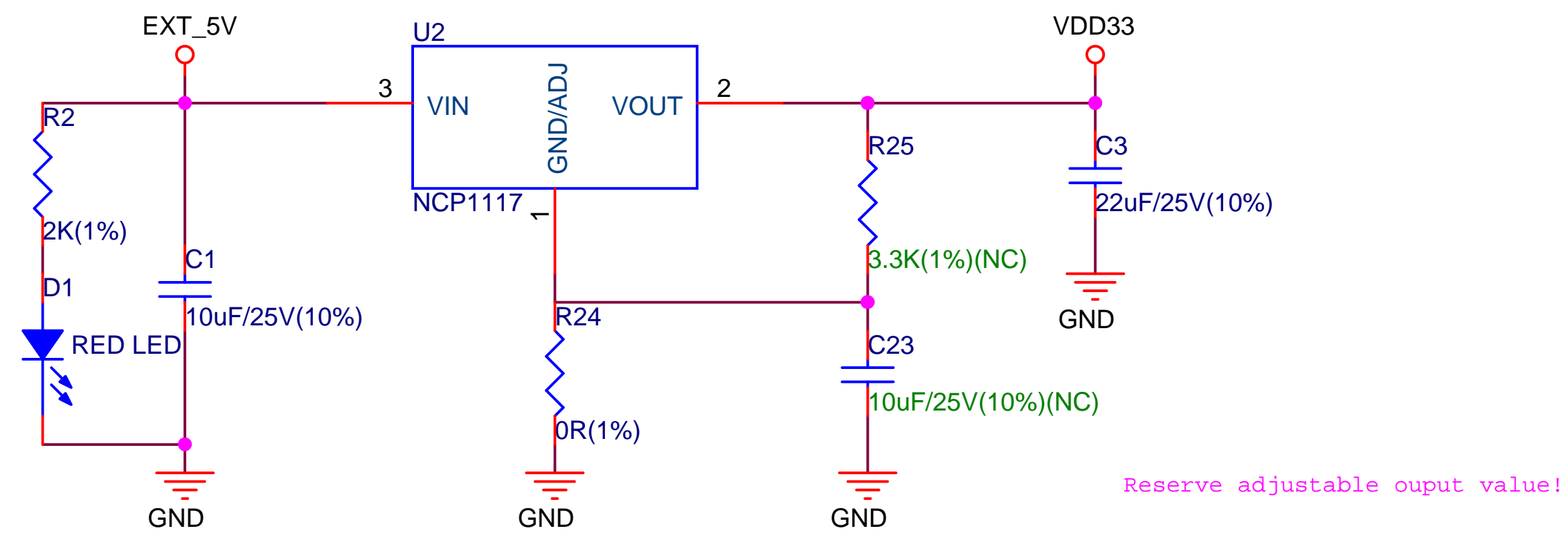
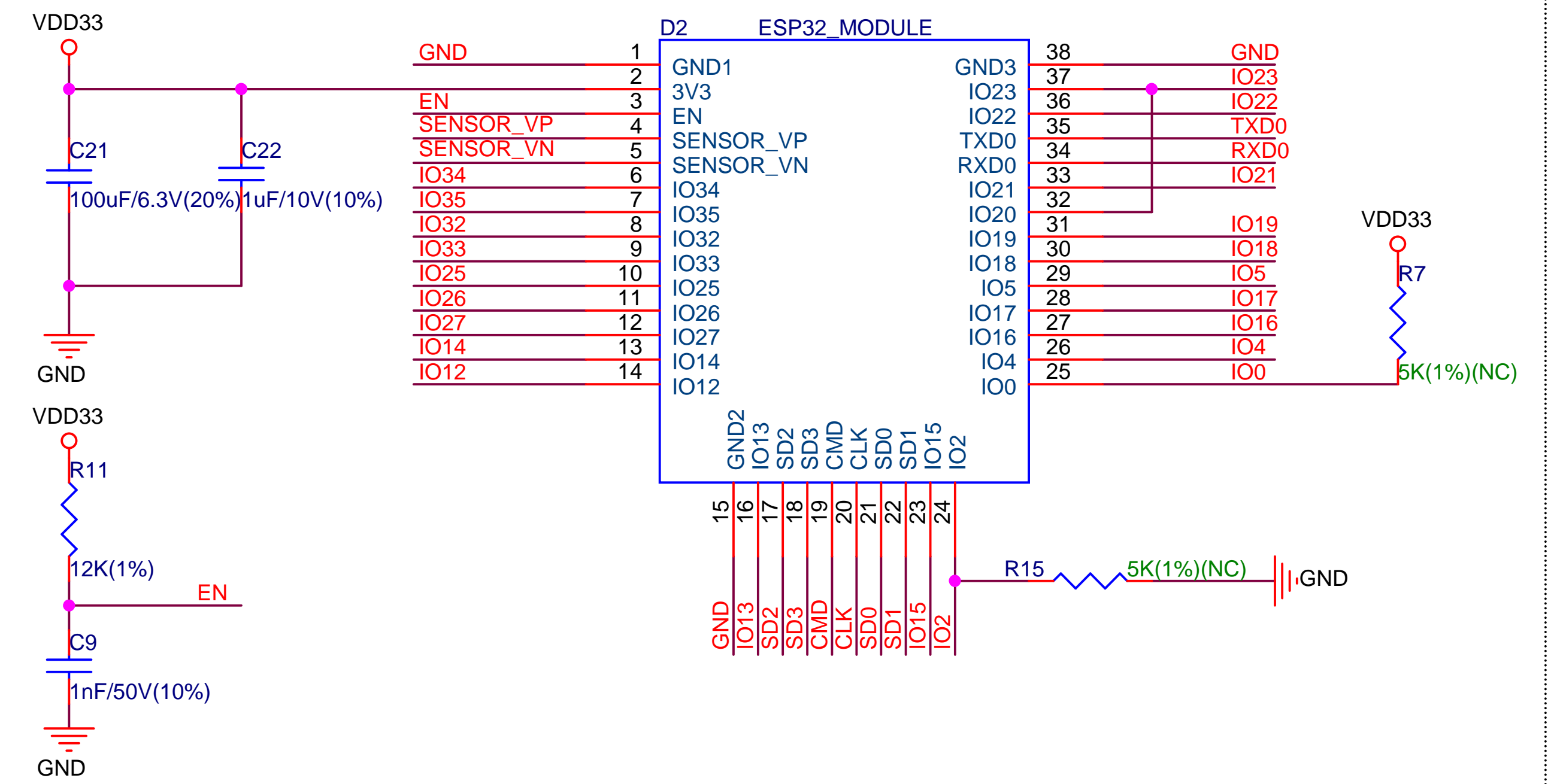


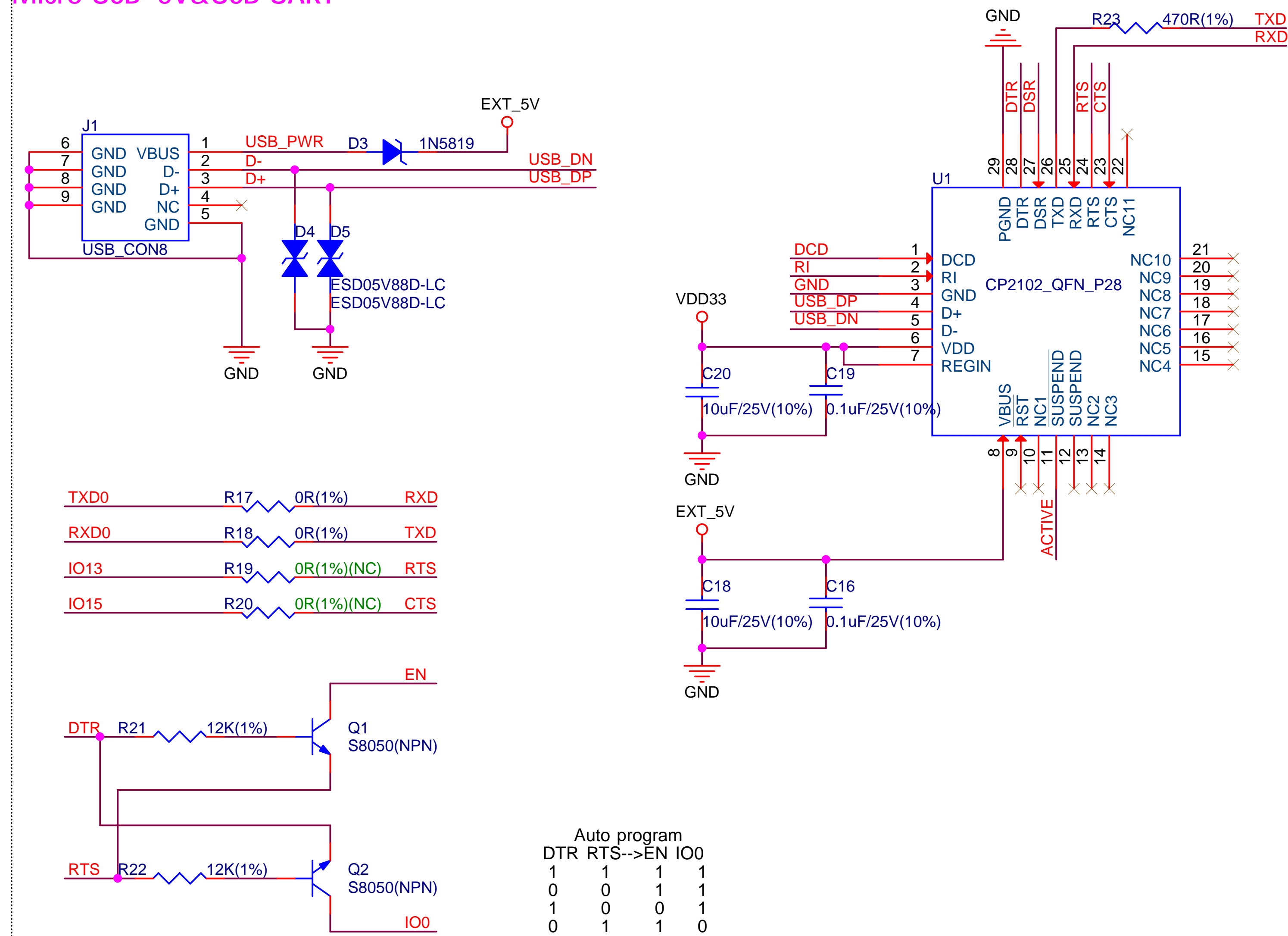
### Power Supply



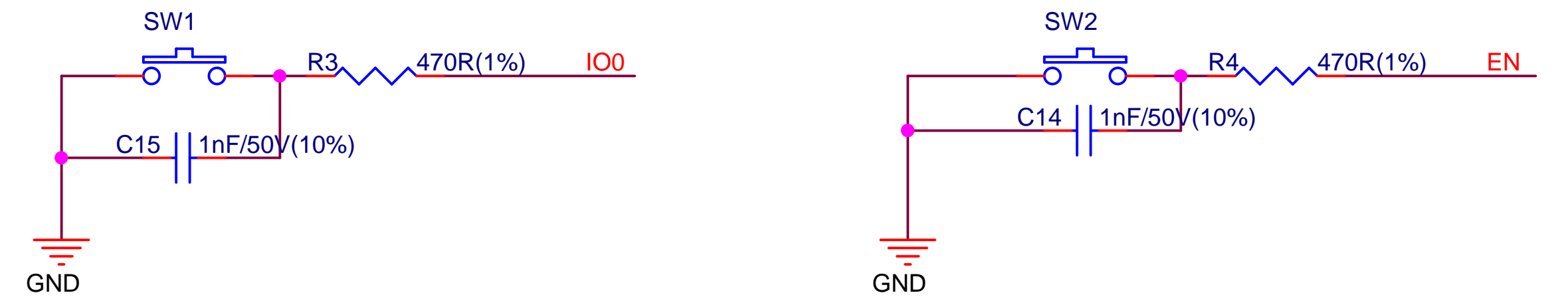
### ESP32 Module



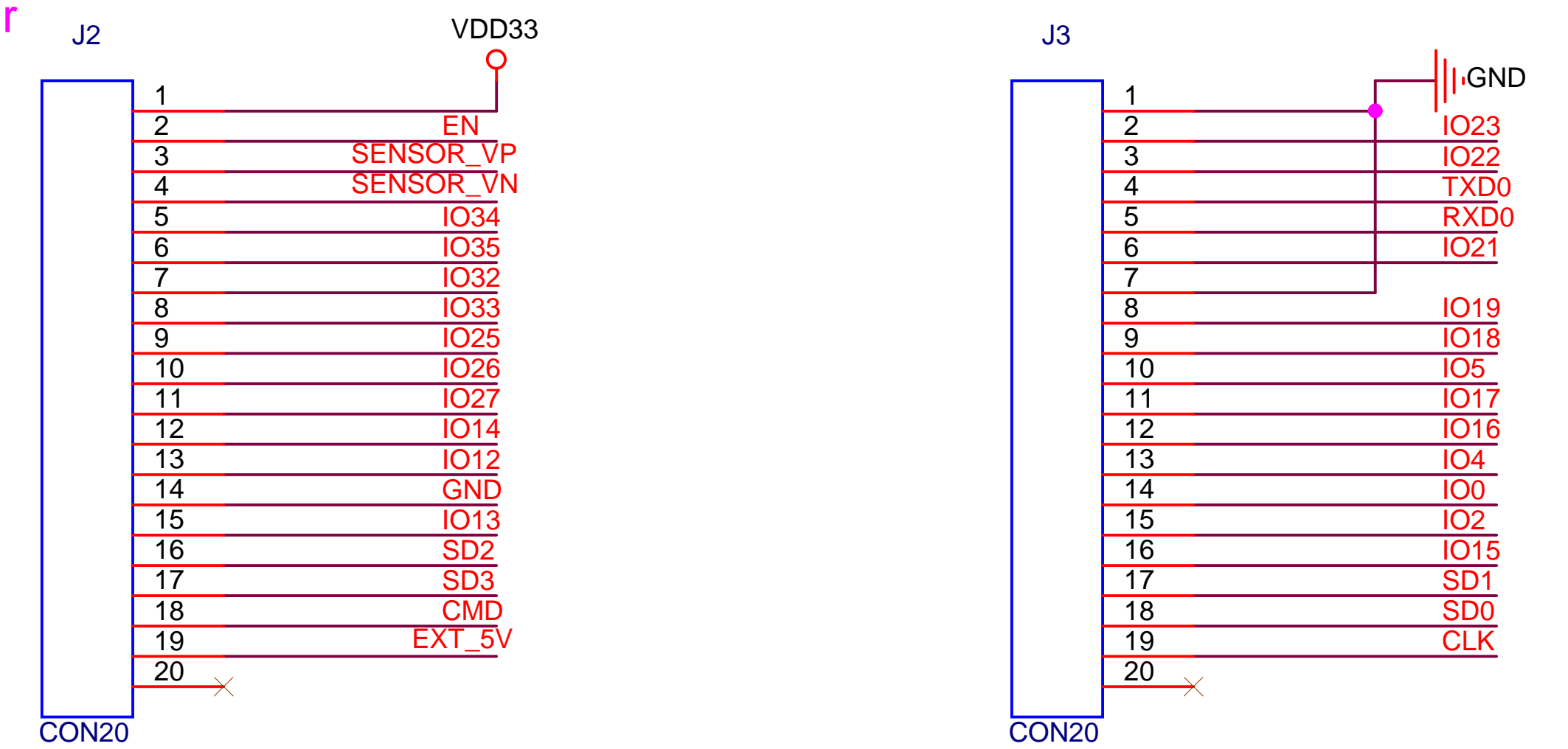
### Micro USB 5V&USB-UART



### SWITCH BUTTON



### Connector



Title <Title>		
Size B	Document Number <Doc>	Rev <RevCode>
Date:	Wednesday, September 14, 2016	Sheet 1 of 1